

WMS EXPANSION BOARD

Contents:

1. Introduction	2
2. Installation of WMS Expansion Board	2

1. Introduction

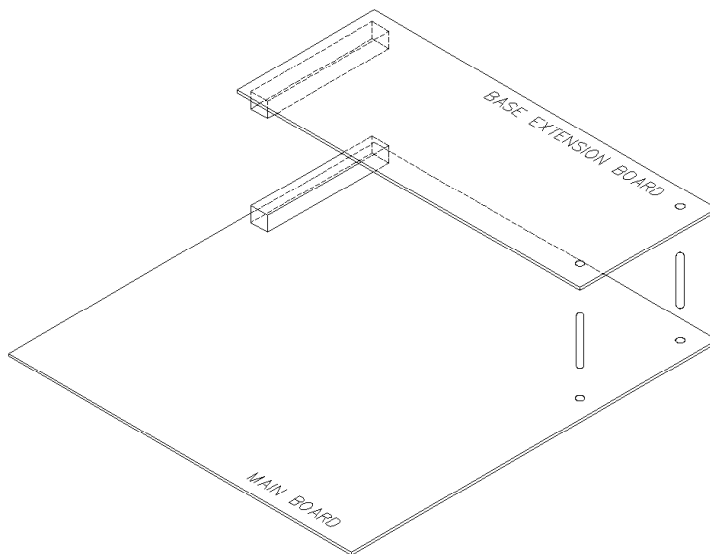
The WMS expansion board has to be mounted in the WMS if more than 8 Radio Fixed Parts (RFP) are needed. The expansion board handles up to 8 RFP's (bases) besides the 8 RFP's the WMS main board handles (maximum 16 RFP's).

The WMS needs the FLASH software PCS 2D or later edition to control the expansion board. If the WMS has an older software version it is necessary to upgrade the system.

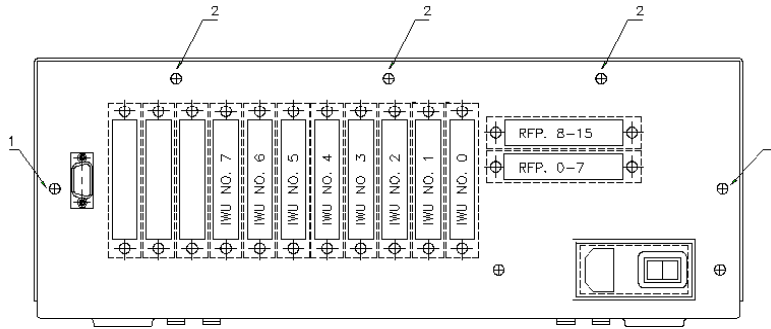
Upgrade software disk <u>is</u> included in expansion kit:	1330 4600
Upgrade software disk <u>is not</u> included in expansion kit:	1330 4601

2. Installation of WMS EXPANSION board

- a. Disconnect the WMS from the power supply.
- b. Remove the top cover.
- c. Mount the expansion board on the WMS main board by inserting the 2 plastic pins and put the expansion board in place.



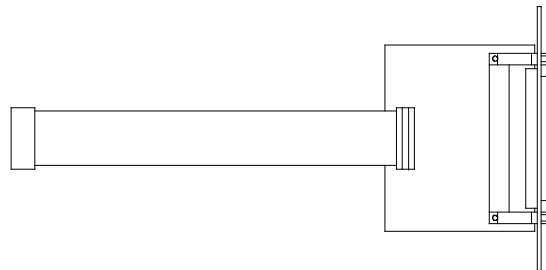
- d. Remove the blind cover plate for RFP 8 - 15.



- e. Mount the expansion board internal cable by mounting the DP 25 connector end instead of the just removed blind cover using the 2 screws and connect the board connector to the expansion board.

EXP. board

Rear panel



- f. Put back the top cover.
- g. Mount the DP 25 plug of the external expansion board cable to the corresponding plug at the rear panel of the WMS and the other end of the cable to the RFP.
- h. Power up the WMS again.
- i. Make a cable measurement to be sure the RFP's have the right delay times.